

Fitting and Fixing Carvings

A small number of our more fragile carvings have been supplied with reinforcement struts to safeguard them during transportation. With the carving fully supported these can be carefully removed with a fine toothed fret saw or alternatively left in situ as an intrinsic part of the design.

Before fixing you should take the opportunity to test the reaction and continuity of any of the stains or finishes which you may intend to use. Make a neat experiment on the reverse side of a portion of the carving without spoiling the face of the carving or the integrity of adhesion on the back.

Hand carved decorative wood carvings can be fixed with correct use of the appropriate adhesive to any surface such as wood, wood composite, cement, masonry, plastic & metal. When using panel pins to fix fragile or delicate carvings to wood, it may be necessary to pre drill the holes so as to avoid splitting.

Craftsman's Tip - This can also be avoided by blunting the point of the panel pin with a light tap of a hammer. Also scoring on either side of the intended hole, across the grain, will help deflect any splitting along the grain.

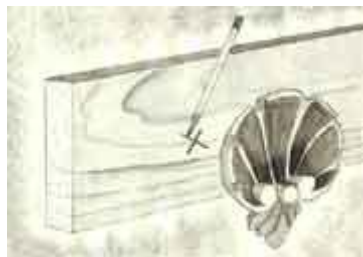
Larger items of carved wooden architectural features and decoratives can be incorporated as components into your prestige millwork or joinery project using proprietary adhesive or light screw fixings. Wherever possible, fix larger carving using screws from behind. Different categories of carving will require different methods of fixing depending upon the nature of the job in hand.

Medium and larger sized carvings can be optionally fixed in one of the following ways:

Step By Step

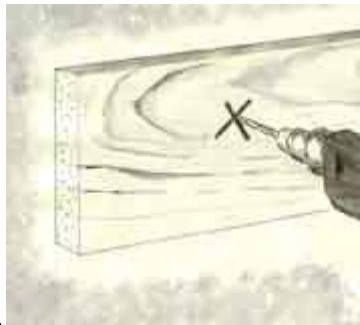
Step 1

Offer up the carving where required and select a suitable and structurally sound point on the carving at which to screw. Then mark the surface onto which it is to be attached.



Step 2

Drill pilot holes through the surface of the work at the marked points.

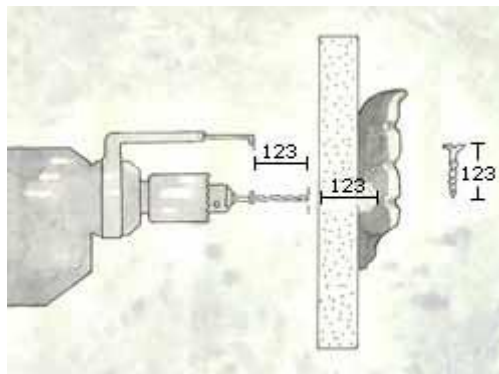


Step 3

Measure the combined depth of the work and your carving. Ensure that the length of the screw is not so long that it will protrude through the face.

Select the appropriate drill size for the screw and use with either a depth stop in place or by marking the drill, again so as not to drill too deep and come out through the other side of the carving. Pre drill the carving to depth. Ensure you do not over drill the depth and do not hold the carving in place with your hand whilst drilling.

Where possible it is best to screw fix from behind. Where this is not possible it may be necessary to employ other options for fixing.



The use of adhesive

Small carvings that will not be subject to any movement of the base structure can be mounted with adhesive only, using a clamp or temporary pin to hold the carving whilst the adhesive sets.

Ensure that the surfaces are clean and free from dust and apply the adhesive of your choice as directed by the manufacturer. Remember to protect the face of your carving from pressure of the clamp with a soft pad or block. Standard water-based PVA adhesives are suitable for fixing carvings indoors. Please take care to remove any excess glue immediately,

particularly around fret cut edges.

Should you wish to reinforce the adhesive with a fixing, then a narrow gauge fixing pin can be used. Once the carving is in situ, drill a suitable hole for the pin size. Spread the adhesive very lightly to adhere to both surfaces and sink your pins below the facial surface of the carving with a fine punch and conceal with filler or stopper.

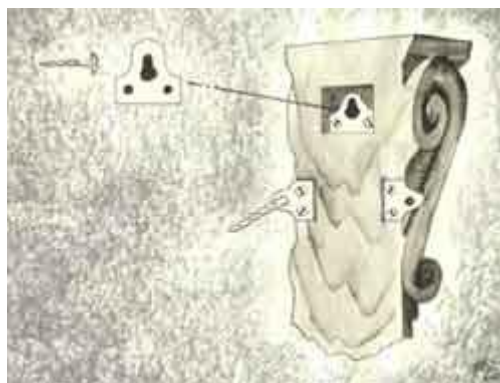
Fixing through the front face of the carving

When using screws to mount heavier or load bearing carved components from in front, you should drill a secondary hole deep enough to lose the head of the screw, with a drill size matched to the diameter of the dowel/plug intended to conceal the screw head. After fixing, plug the hole with glued dowel or sawdust and then use sandpaper or carve to match the surface contour of your carving.



Using a readily available cabinet fitting

Should you want to fit your carving directly to a wall, we recommend the use of mirror plates of a suitable size.



To fit these in a concealed manner, first pre-drill and fix the mirror plate to the back of the carving. Then offer up the work, mark fixing points and set plugs into the solid structure of the wall to take the mirror plate fixings.

Slotted mirror plates can be used to fix the carving 'blind' or concealed behind the caving. In circumstances that will allow, the final wall fixing can be screwed in after the carving is set in position. In this case the plate should be left protruding from the edge. Affix the carving by screwing the mirror plates to the wall with screws of a suitable length. The thickness of the mirror plates can be effectively buried in the plasterwork thus leaving the surrounding wall surface smooth.